

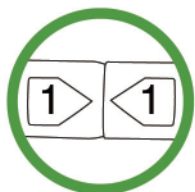
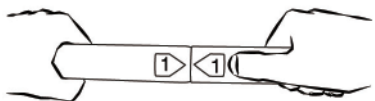
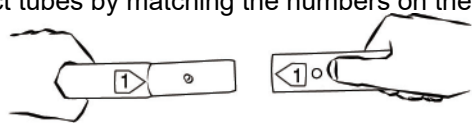
PARTS AND HARDWARE



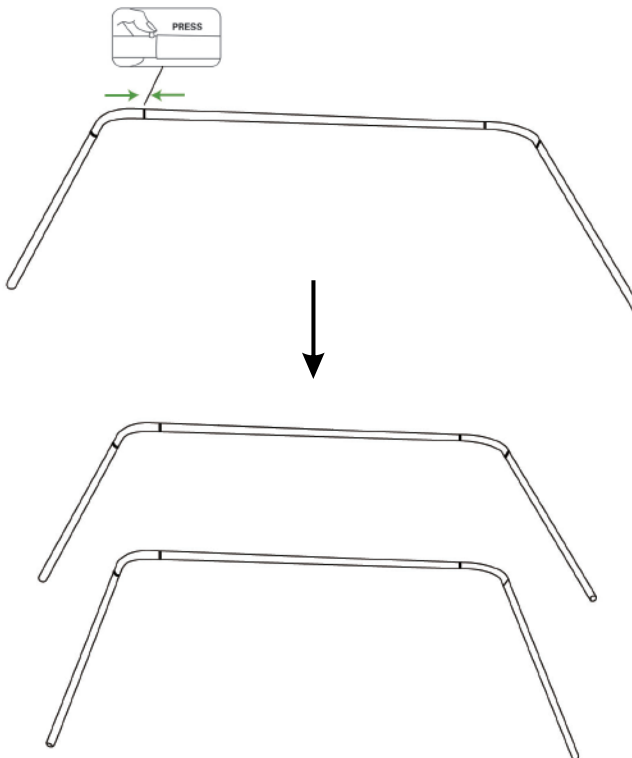
CAUTION: Before starting the assembly, wear gloves to protect your hands.



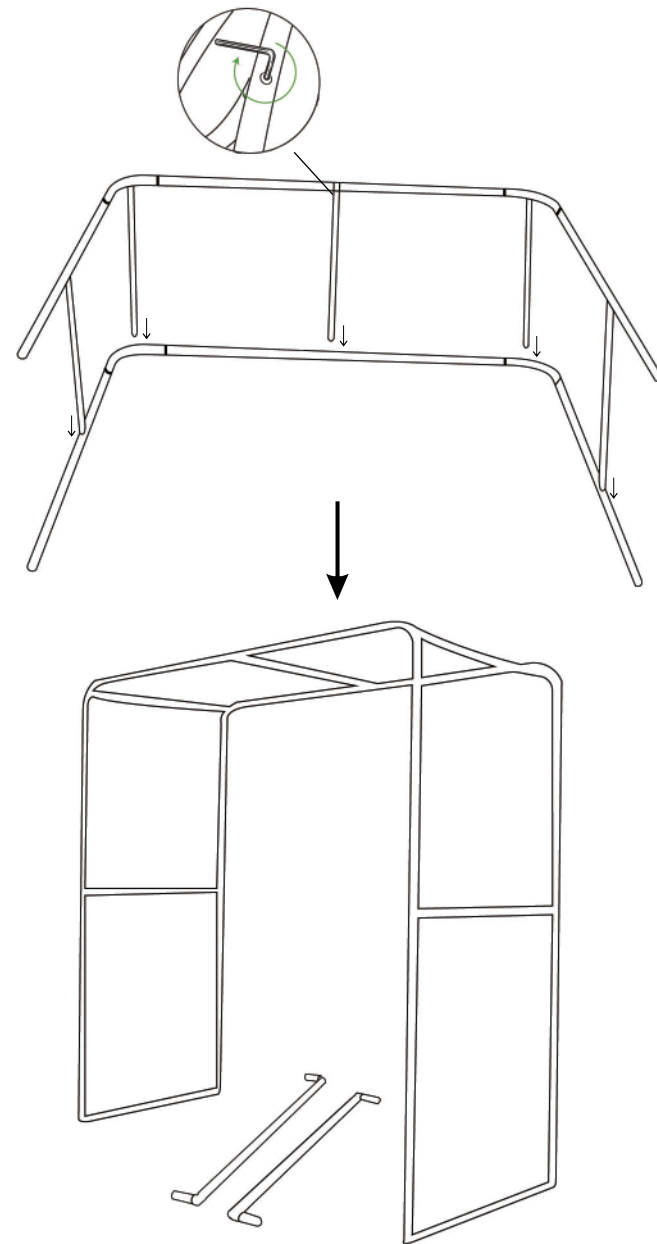
Connect tubes by matching the numbers on the ends.



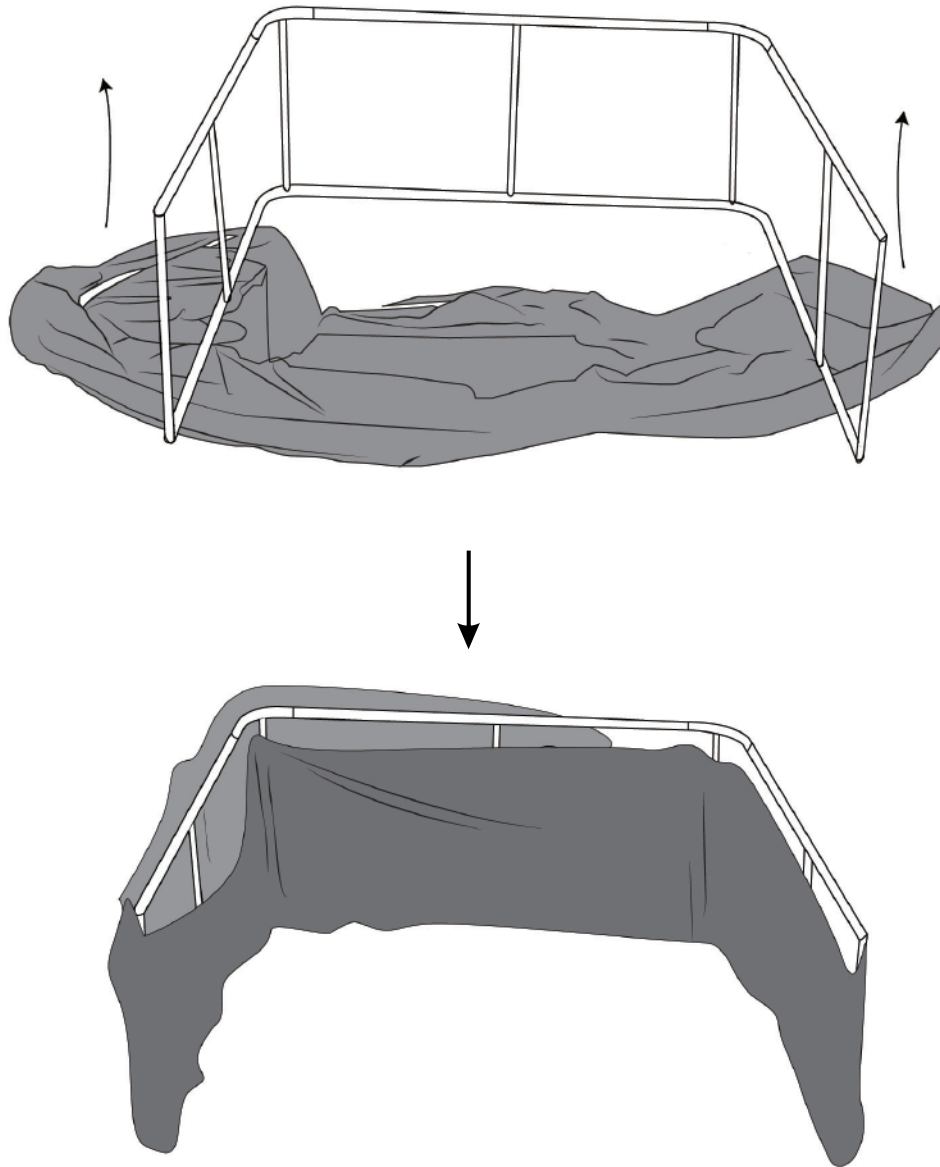
1. Snap and connect frame tubes with corner tubes by matching labels at the end of each tube.



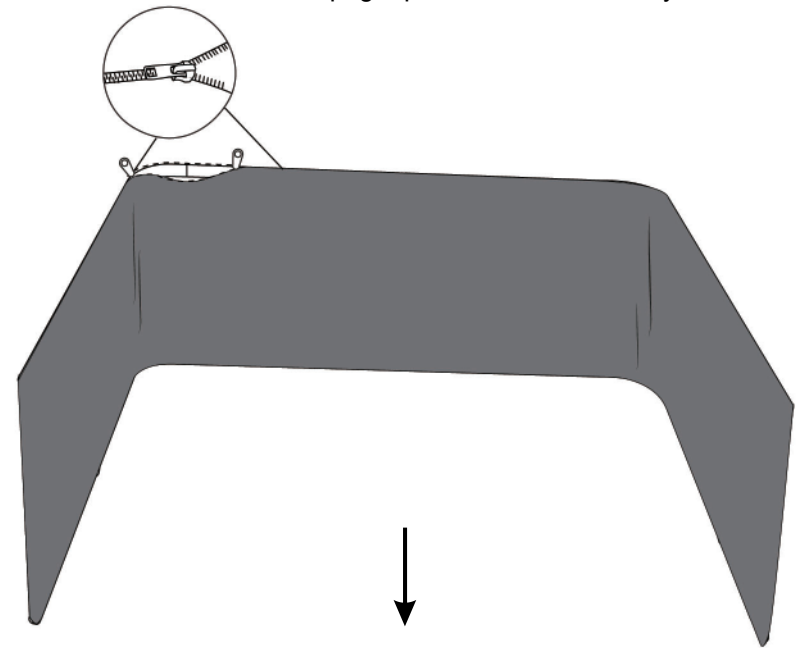
2. Assemble the 5 supporting tubes in the middle and secure them with screws using hex wrench to complete the arch frame.



3. Carefully lay the assembled frame on the ground with the printed fabric placed underneath it. Slide the fabric to cover the frame like a pillow case.



4. Zip the fabric along the tubes on the opening side. Secure the closure where the 2 zippers meet. Stretch out the fabric if any wrinkle shows. Stand the assembled frame to its upright position. The assembly is finished.



If you have any questions regarding our products, please visit us at [www.displays2go.com](http://www.displays2go.com) or contact D2G customer service at 844-221-3388.